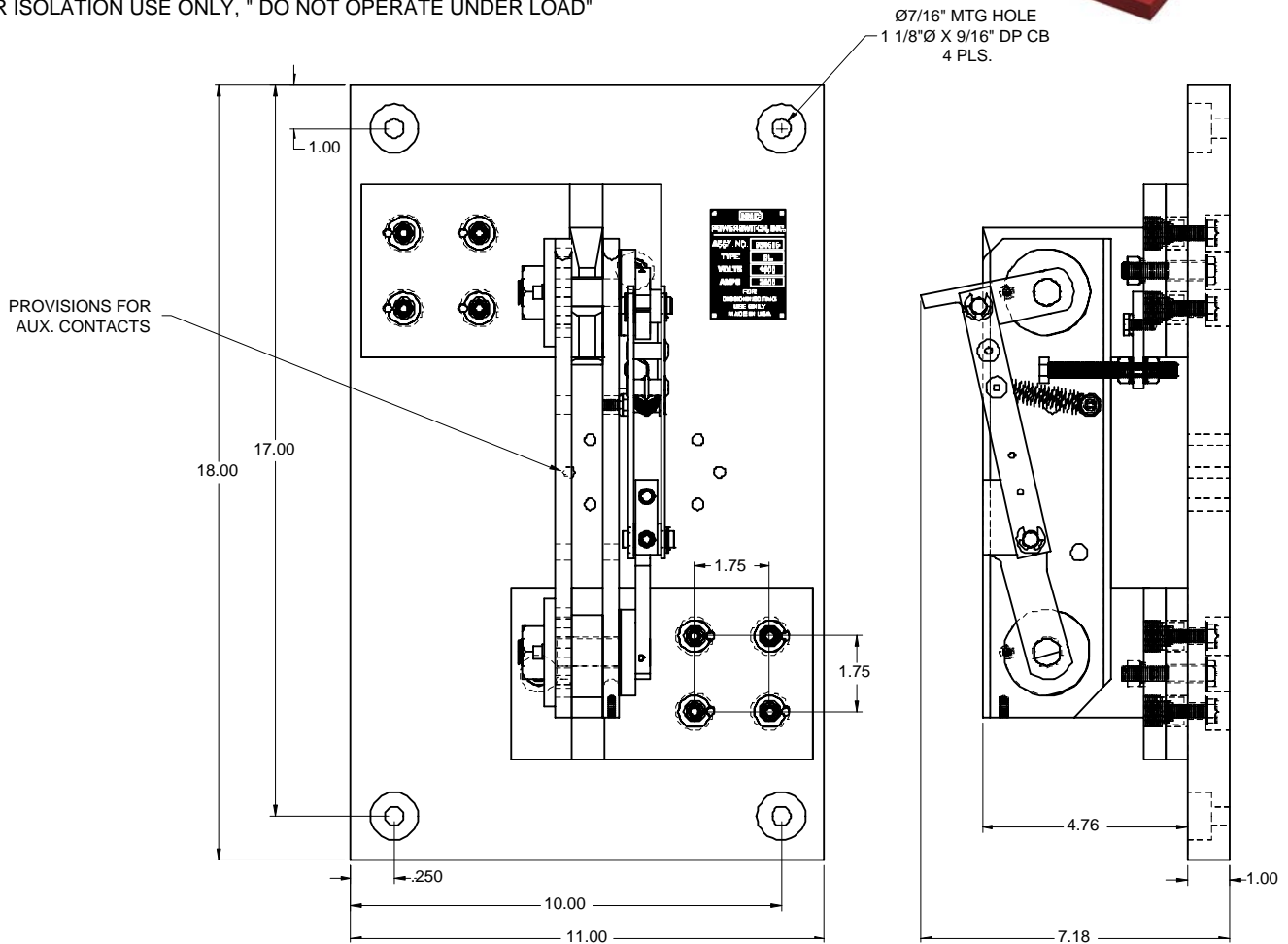
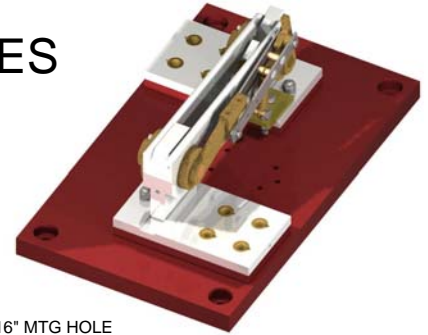


TYPE BL 1000VDC SWITCHES

1. ALL CURRENT CARRYING PARTS ARE MADE FROM 98% CONDUCTIVITY BUS BAR COPPER.
2. ALL HARDWARE IS CORROSION RESISTANT BRASS, SILICONE BRONZE, AND STAINLESS STEEL.
3. BASE IS FIBERGLASS REINFORCED POLYESTER NEMA GRADE GPO-3.
4. CONNECTOR CONTACT SURFACES ARE SILVER PLATED.
5. FOR ISOLATION USE ONLY, " DO NOT OPERATE UNDER LOAD"



2000 AMP SWITCH
ASSY NO. 930616

