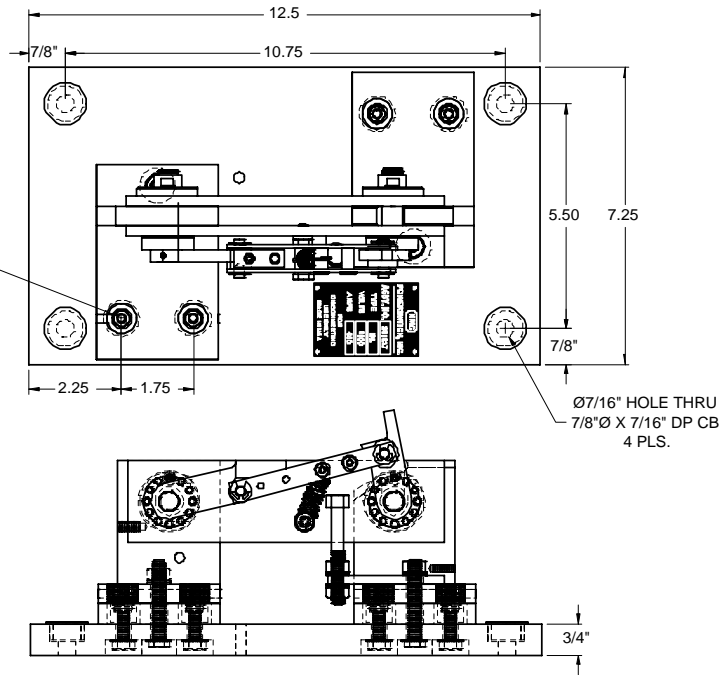
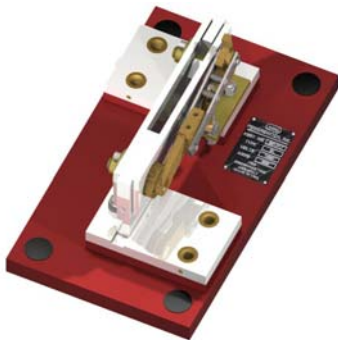
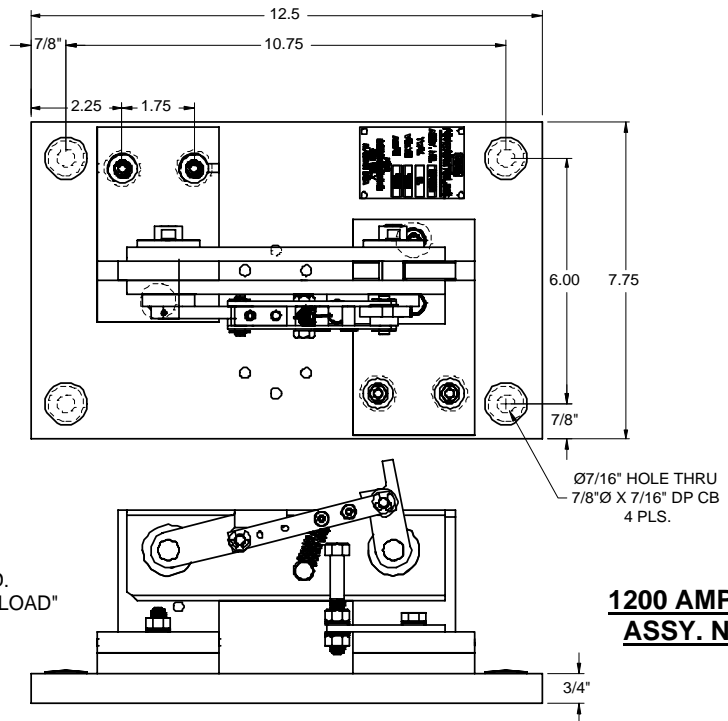
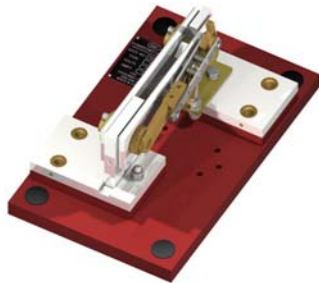


TYPE BL 1000VDC SWITCHES

1/2"-13 TAPPED HOLE X 5/8" DP
 SILICONE-BRONZE INSERT. 4 PLS.



**600 AMP SWITCH
 ASSY. NO. 991217**



**1200 AMP SWITCH
 ASSY. NO 991221**

1. ALL CURRENT CARRYING PARTS ARE MADE FROM 98% CONDUCTIVITY BUS BAR COPPER.
2. ALL HARDWARE IS CORROSION RESISTANT BRASS, SILICONE BRONZE, AND STAINLESS STEEL.
3. BASE IS FIBERGLASS REINFORCED POLYESTER NEMA GRADE GPO-3.
4. CONNECTOR CONTACT SURFACES ARE SILVER PLATED.
5. FOR ISOLATION USE ONLY, " DO NOT OPERATE UNDER LOAD"

